



Cette documentation produit Cisco Meraki vous est fournie par :

bouchecousue  
conseil en informatique

BoucheCousue est une société de conseil en informatique basée à Paris et **revendeur agréé Cisco Meraki** depuis 2011.

Si vous avez des questions, un projet réseau pouvant bénéficier de la solution & des produits Cisco Meraki, **n'hésitez pas à nous contacter :**

[hello@bouchecousue.com](mailto:hello@bouchecousue.com) mais également par téléphone : +33 1 83 62 52 34

Retrouvez aussi sur notre blog les dernières actualités Cisco Meraki ainsi que des astuces & informations utiles.

Notre site: <https://bouchecousue.com>

# Meraki MR14

## Datasheet



## Multi-radio performance for the most demanding office environments

### The Power of Two Radios and 802.11n

The Meraki MR14 is a dual-radio 802.11n access point designed to provide ultra high-speed, reliable, and cost-effective wireless coverage in even the most challenging indoor environments. The MR14 delivers the high throughput and advanced features required by the most demanding business applications, such as voice and streaming video.

Dual 802.11n radios enable the MR14 to serve high density, mixed client environments with speeds of up to 300 Mbps per radio. MIMO technology plus advanced radio techniques like beam forming, maximal ratio combining, and expanded channel widths provide superior speed and more dependable coverage regardless of your deployment scenario. The MR14's dual-concurrent design also dramatically increases mesh networking performance over multiple hops, enabling wireless deployments in areas that were not accessible before. Combined with Meraki's Auto RF automated transmit power and channel planning, MR14 can deliver wire-like performance even in areas with many RF interference sources.

The MR14 is compatible with the Meraki Cloud Controller, which provides centralized management, authentication, monitoring, and performance optimization.



## Product Highlights

- 802.11n MIMO provides up to six times a/b/g speeds with improved range and more reliable coverage
- Enhanced dual-concurrent performance with advanced noise filtering for improved range and speed
- Self-healing, full-duplex mesh operation
- Powered with energy-efficient 802.3af Power over Ethernet
- Sleek design with internal antennas that blends into office environments
- Easy and flexible installation options
- Rated for mounting in plenum spaces
- Fully Integrated with the Meraki Cloud Controller

### The Metric that Matters: ROI

Meraki's cloud-managed network architecture eliminates the need for expensive controller hardware and software, significantly reducing upfront capital expenditures. In addition, for areas where installing Ethernet or fiber cabling is cost-prohibitive, Meraki's mesh technology reduces upfront wiring costs. Also, the MR14's low, fully 802.3af-compliant power consumption means not having to pay to upgrade your switches. But most importantly, Meraki simplifies the network design process and allows even the largest networks to be managed by a single person from any web browser, substantially reducing the necessary expenditure on IT staff and consultants.

### Plug-and-Play for Rapid Deployment

Since the MR14 is configured and controlled through the web-based Meraki Cloud Controller, creating a secure and sophisticated network takes just minutes. In addition, the MR14 features Meraki's award-winning, self-healing mesh technology, which can further reduce installation time by enabling rapid extension of your network into areas where laying Ethernet or fiber cabling would be impractical.

### Ease of Management with Limited IT Resources

The Meraki Cloud Controller provides automatic, over-the-air firmware upgrades, hosted branding, and simplified authentication. Network administrators can also remotely monitor and configure their networks from any web-enabled device. The Meraki Cloud Controller also runs network-wide optimizations and frequency-planning to maximize capacity and throughput. With a global view of network health, the Meraki Cloud Controller automatically balances capacity to maximize client throughput across the network.

---

## Recommended Use Cases

### ➤ Serving Mixed Legacy and 802.11n Clients Simultaneously

- Use one radio at 2.4 GHz primarily for 802.11b/g clients
- Use other radio at 5 GHz to serve 802.11n clients the fastest possible speed

### ➤ Very High User Density Networks

- Two 802.11n radios serve up to twice as many clients as single radio access points
- Maximum user density is attained when there is a high density of 802.11a/b/g/n clients

### ➤ High-Performance Networks

- Provide high-speed access to support bandwidth-intensive applications such as streaming video and audio
- The highest performance is achieved when each MR14 is connected to a wired backhaul.

### ➤ Networks Requiring Sophisticated Mesh

- Dual-concurrent design allows several access points to wirelessly share the same Ethernet connection with minimal drop in client performance
- Lower deployment cost due to fewer required gateways

### ➤ Networks in Challenging RF Environments

- Areas with high levels of RF noise
- Buildings with large amounts of metal in the structure that can wreak havoc on a/b/g networks

# Specifications

## ➤ Radios

- Two 802.11 a/b/g/n radios
- Dual concurrent operation in both 2.4 and 5 GHz bands
- Auto-selection of optimal 2.4 or 5 GHz frequencies
- Max radio rate 300 mbit/s per radio
- Operating Bands:

FCC (US)	EU (Europe)
2.412-2.484 GHz	2.412-2.484 GHz
5.150-5.250 GHz (UNII-1)	5.150-5.250 GHz (UNII-1)
5.725 -5.825 GHz (UNII-3)	5.250-5.350, 5.470-5.725 GHz (UNII-2)

## ➤ 802.11n Capabilities

- 2 x 2 multiple input, multiple output (MIMO) with two spatial streams
- Maximal ratio combining (MRC)
- Beamforming
- 20 and 40 MHz channels
- Packet aggregation
- Cyclic shift diversity (CSD) support

## ➤ Power

- Power over Ethernet: 24 - 57 V (802.3af compatible)
- Power consumption: 11.6 W max; 7.5 W typical
- Power over Ethernet injector available separately

## ➤ Mounting

- Standard (all hardware included)
- Desktop
  - Wall mount
  - Ceiling tile rail (9/16, 15/16 or 1 1/2" flush or recessed rails)
  - Assorted cable junction boxes
  - Plenum spaces

## ➤ Physical Security

- Security screw included
- Kensington lock hard point
- Padlock hard point (Master Lock 120T or equivalent)

## ➤ Environment

- Operating temperature: 32° F to 104° F (0° C to 40° C)
- Humidity: 5 to 95% non-condensing

## ➤ Physical Dimensions

- 8.5" x 6.6" x 1.7" (216 mm x 168 mm x 43 mm) not including mount
- Weight: 27 oz (0.76 kg)

## ➤ Antenna

- Integrated omni-directional antennas
- Gain: 2 dBi @ 2.4 GHz, 4 dBi @ 5 GHz

## ➤ Interfaces

- 100/1000 Base-T (RJ45) with 48V DC 802.3af Power over Ethernet

## ➤ Security

- WEP, WPA, WPA2 (802.11i)
- TKIP and AES
- 802.1x
- VLAN tagging (802.1q)

## ➤ Quality of Service

- Wireless quality of service (WMM/802.11e)
- Advanced power save (U-APSD)

## ➤ LED Indicators

- 4 signal strength
- 1 Ethernet connectivity
- 1 power/booting/firmware upgrade status

## ➤ Regulatory

- FCC (US)
- IC (Canada)
- CE (Europe)
- IEC / EN60950-1
- UL2043 (Plenum rating)
- RoHS

## ➤ Certifications

- Wi-Fi Alliance

## ➤ Warranty

- Lifetime hardware warranty included

## ➤ Ordering Information

MR14-HW	Meraki MR14 Cloud-Managed Dual-Radio 802.11n Access Point
POE-INJ-3-US	Meraki 802.3af Power over Ethernet Injector (US Plug)
POE-INJ-3-EU	Meraki 802.3af Power over Ethernet Injector (EU Plug)
POE-INJ-3-UK	Meraki 802.3af Power over Ethernet Injector (UK Plug)
POE-INJ-3-AU	Meraki 802.3af Power over Ethernet Injector (AU Plug)

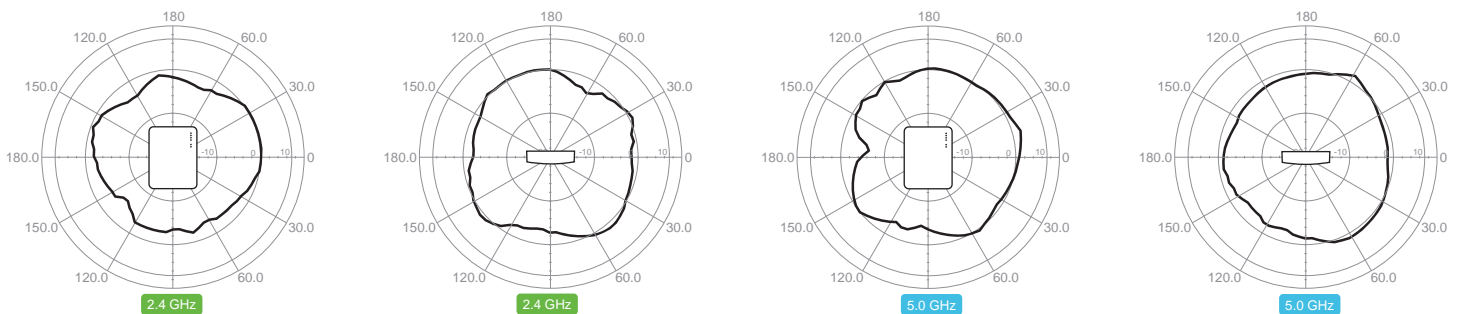
Note: Meraki Cloud Controller license required.

➤ RF Performance Table

Operating Band	Operating Mode	Data Rate	Max TX Power	RX Sensitivity
2.4 GHz	802.11b	1 Mb/s	18.4	-95
		2 Mb/s	19.4	-95
		5.5 Mb/s	19.9	-95
		11 Mb/s	19.9	-91
2.4 GHz	802.11g	6 Mb/s	22.6	-94
		9 Mb/s	22.7	-94
		12 Mb/s	22.7	-94
		18 Mb/s	22.8	-93
		24 Mb/s	22.7	-90
		36 Mb/s	21.6	-86
		48 Mb/s	20.5	-82
		54 Mb/s	18.5	-80
2.4 GHz	802.11n (HT20)	MCS0 HT20	20.6	-95
		MCS1 HT20	20.6	-94
		MCS2 HT20	20.6	-92
		MCS3 HT20	20.5	-89
		MCS4 HT20	20.5	-85
		MCS5 HT20	20.6	-81
		MCS6 HT20	18.7	-79
		MCS7 HT20	16.6	-78
2.4 GHz	802.11n (HT40)	MCS8 HT40	20.1	-90
		MCS9 HT40	19.9	-90
		MCS10 HT40	19.9	-89
		MCS11 HT40	19.9	-85
		MCS12 HT40	19.0	-83
		MCS13 HT40	19.2	-78
		MCS14 HT40	17.9	-77
		MCS15 HT40	15.9	-74
5 GHz	802.11a	6 Mb/s	20.4	-95
		9 Mb/s	20.5	-94
		12 Mb/s	20.5	-93
		18 Mb/s	20.5	-91
		24 Mb/s	20.4	-87
		36 Mb/s	19.6	-84
		48 Mb/s	18.6	-80
		54 Mb/s	16.2	-79
5 GHz	802.11n (HT20)	MCS0 HT20	19.7	-94
		MCS1 HT20	19.8	-92
		MCS2 HT20	19.7	-90
		MCS3 HT20	19.1	-86
		MCS4 HT20	19.1	-83
		MCS5 HT20	19.2	-80
		MCS6 HT20	18.1	-78
		MCS7 HT20	14.3	-76
5 GHz	802.11n (HT40)	MCS8 HT40	18.0	-91
		MCS9 HT40	18.0	-89
		MCS10 HT40	18.0	-87
		MCS11 HT40	17.9	-84
		MCS12 HT40	18.0	-81
		MCS13 HT40	18.0	-77
		MCS14 HT40	17.1	-76

\*Maximum hardware capability shown above. Maximum transmit power is limited by local regulatory settings and is configurable in increments of 1 dBm through the Meraki Cloud Controller.

➤ Signal Coverage Pattern





**Vous souhaitez en savoir plus sur Cisco Meraki et essayer la solution gratuitement? Plusieurs options s'offrent à vous.**

### **En autonomie:**

- **Webinar** : Participez à un webinar Cisco Meraki en cliquant [ici](#) et recevez ultérieurement un équipement gratuit<sup>1</sup> (comme une borne WiFi, un switch)
- **Try & Buy** : Essayez le matériel Cisco Meraki gratuitement en cliquant [ici](#). A la fin de votre essai vous pouvez décider de garder & acheter le matériel ou le renvoyer.

### **Avec notre accompagnement:**

Contactez-nous par téléphone ( +33 1 83 62 52 34 ) ou par email à [hello@bouhecousue.com](mailto:hello@bouhecousue.com) en nous précisant votre projet. Nous pourrons choisir ensemble le matériel adapté à votre besoin et vous le faire essayer.

Retrouvez aussi nos coordonnées postales sur cette page : <https://bouhecousue.com/contact/> si vous souhaitez convenir d'un rendez-vous.

---

<sup>1</sup> Nécessite l'éligibilité à des critères définis par Cisco Meraki, vérifiez que vous êtes éligible sur le site de Cisco Meraki